

INDUSTRIAL GRADE SONIMOMETER™

This sensor is ideal for applications requiring high reliability, NO maintenance, ruggedness, ice-free operation or portability.

FEATURES:

- No Moving Parts
- No Periodic Maintenance
- Digital and Analog Outputs
- Automatic North Alignment
- Ice-Free Operation (Optional)
- Two Year Warranty
- Field configurable

Climatronics' Sonimometer™ (sonic anemometer) (P/N 102779) is designed for ambient wind sensing in harsh environment industrial applications as a direct replacement for conventional mechanical propeller and cup anemometers, both in terms of performance and cost. It requires no periodic maintenance or calibration.

The Sonimometer™ operates on the principle of the measurement of the speed of sound in air. All electronics utilize the latest solid state surface mount technology, conserving power, size, and weight, with a power consumption of less than 0.5W for the unheated version.

The Sonimometer™ measures only 4 inches in diameter and 8 inches high, and the body is slender and aerodynamic to assure that minimum turbulence is introduced into the measured air stream. Measurement interference is further reduced by the transducers being located out of the measurement air stream.

*Climatronics'
Sonimometer™*



This also serves to increase the reliability and longevity of the sensor as dust, debris, snow, rain, etc, will not impact directly on the transducers.

Standard digital outputs are RS-232C, RS-485 and SDI-12 which are easily interfaced to any of Climatronics' or other commonly available data acquisition systems. A variety of standard analog outputs are also available. With the flux-gate compass, the wind direction output is automatically referenced to magnetic north. The small size and surface area of this anemometer allows it to be kept ice free even at relatively low power levels. The heated version of this anemometer, P/N 102729, includes the heating elements, which are factory-installed. The heater control box, P/N 102626, is ordered separately.

The Sonimometer™ is now totally field configurable through a very user friendly, software interface, which is accessed through the serial port.

THE STANDARD
OF MEASUREMENT

BELFORT INSTRUMENT
www.belfortinstrument.com

INDUSTRIAL GRADE SONIMOMETER™

SPECIFICATIONS

PERFORMANCE	P/N 102779 or 102729
Wind Speed	
Range	0 to 70 m/s (0 to 157 mph)
Accuracy*	±0.5 m/s (1.1 mph) or 5%
Resolution	0.1
Repeatability	±0.2 m/s (0.45 mph) or 5%
Wind Direction	
Range	0° to 360°
Accuracy*	±5° (Including compass error of ±2°)
Resolution	±1.0

ELECTRICAL

Measurement Format	Two orthogonal axes, North/South and East/West
Measurement Rate	2 Hz each axis
Operating Frequency	40 KHz
Signal Output	DIGITAL: RS-232C, 100 ft @ 9600 BPS & 50 ft @ 19.2 KBPS RS-485, 4000 ft @ 9600 BPS and SDI-12, 200 ft @ 1200 BPS ANALOG: 0 -1, 0-2.5, 0-5 or 1-5 VDC, over the measurement range selected.
Power Requirements	Sensor: 9 - 36 VDC @ 35mA nominal, option dependent Heater 115 VAC/60 Hz, 100W
Mean Time Between Failures	80,000 hours

ENVIRONMENTAL

Temperature	-40°C to 60°C (-40°F to 140°F)
Humidity	0 to 100%

PHYSICAL

Weight	1.00 kg (2.2 lbs)
Size	203.2 mm (8.0 in) high by 101.6 mm (4.0 in) dia
Mounting	P/N 102779 = 102778 mount P/N 102729 = 102286 mount to ¾ in IPS (1.05" or 26mm OD) vertical pipe stub.

SHIPPING

Weight	1.36 kg (3.0 lbs)
Volume	0.012 m ³ (0.44 ft ³)

* This accuracy is maintained when the sensor is within ± 10 degrees of vertical

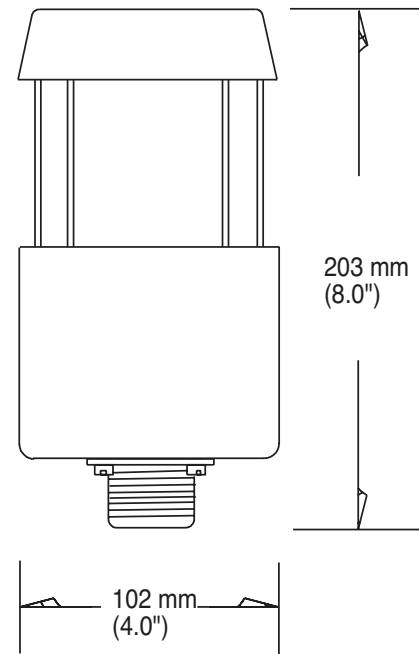


OPTIONS CONFIGURATION GUIDE

Contact the factory for options configuration for P/N 102729 heated version

Base Part Number	102779	
Std. Digital Outputs	RS-232C, RS-422/485 and SDI-12	
Analog Output Options	None	A0
	0 - 1 Volt	A1
	0 - 5 Volt	A2
	0 - 2.5 Volt	A3
	1 - 5 Volt	A4
Digital Output Options	Standard	D0
	485 Tracker	D1
	NMEA	D2

Typical Complete Part Number: 102779-A0-D0



Belfort Instrument Company
727 South Wolfe Street
Baltimore, Maryland 21231 USA
TEL: 410-342-2626 • FAX: 410-342-7028
www.belfortinstrument.com