

BELFORT ALTER SHIELD

- Performance comparable to more expensive SDFIR shield used by US Climate Reference Network
- Rugged stainless steel and aluminum construction
- Retrofits to existing alter shield supports
- Movable wind deflectors keeps free of ice and snow
- Spring dampened movement with hard rubber grommets eliminates environmental noise
- Field proven performance

Belfort's Alter Shield may be used with any precipitation gauge currently installed!

The Belfort Model 36001 Alter Shield has demonstrated an ability to improve snow collection on windy days by over 26% compared to conventional Alter Shields and provides collection efficiency levels comparable to more expensive SDFIR type wind shield surrounding weighing type precipitation gauges.

Built with heavy gauge aluminum wind deflectors with travel limited to 30° from vertical allows closer deflector spacing and eliminates errors due to excessive porosity demonstrated with unrestrained Alter Shield deflectors. The limited travel of the Belfort Alter Shield also assures wind deflection comparable to SDFIR type shields even



***Belfort
Alter Shield
Model 36001***



in very high wind conditions where conventional Alter Shield deflectors blow horizontal and fail to deflect wind away from the enclosed precipitation collection device.

Why spring load each wind deflector on the Belfort Alter Shield? The spring positions on each wind deflector is relative to the adjacent deflector, it dampens movement, it assures that the deflector returns to vertical and along with a hard rubber grommet limits travel to 30°. In combination the spring dampening and the rubber shock absorption all but eliminates environmental noise on windy days that continues to frustrate use of conventional Alter Shields in populated areas.

**THE STANDARD
OF MEASUREMENT**

BELFORT INSTRUMENT
www.belfortinstrument.com

BELFORT ALTER SHIELD

Model 36001

SPECIFICATIONS

Retrofits easily to existing Alter Shield supports

May be used with any precipitation gauge currently installed

Stainless support hoop

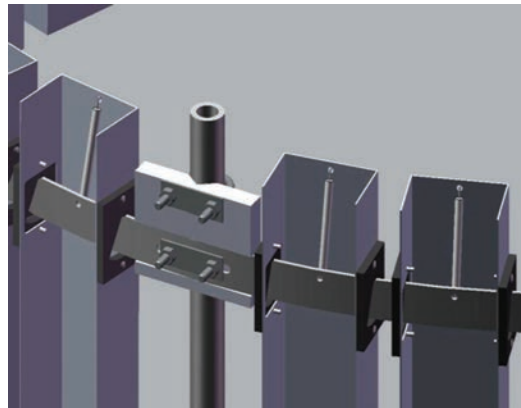
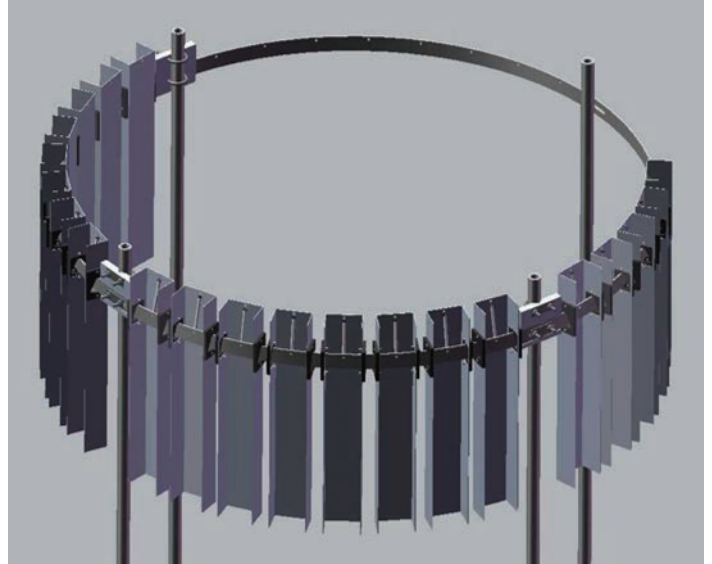
High density rectangular wind deflectors

Simple attachment with 2 U bolts

Rubber grommets limit travel and reduce noise

Easy to install spring dampens movement and positions deflectors

U.S. Patent 8,061,193 B2



Belfort Alter Shield - Patent Pending

Belfort Instrument Company
727 South Wolfe Street
Baltimore, Maryland 21231 USA
TEL: 410-342-2626 • FAX: 410-342-7028
www.belfortinstrument.com

BIC110415